

# Qualcomm® CSR102x Professional Development Kit

Modular, expandable and comprehensive development kit for Bluetooth® low energy IoT applications

The CSR102x Professional Development Kit is based on a modular design which allows the processor to be swapped out via a pluggable module. It is designed for developers and designers of Bluetooth low energy products who need options for flexibility in their designs.

The Professional Development Kit target board features a pluggable CSR1025 chip module and programming interface, multiple power supply and control options, and an activation code enabling access to the SDK. The target board is designed to run from different power sources and measure current from the board directly. It is designed as the main board for use with the plug-in boards for sport watch applications and smart remote applications, which are sold separately. Other CSR102x chip modules can also be ordered separately if required.

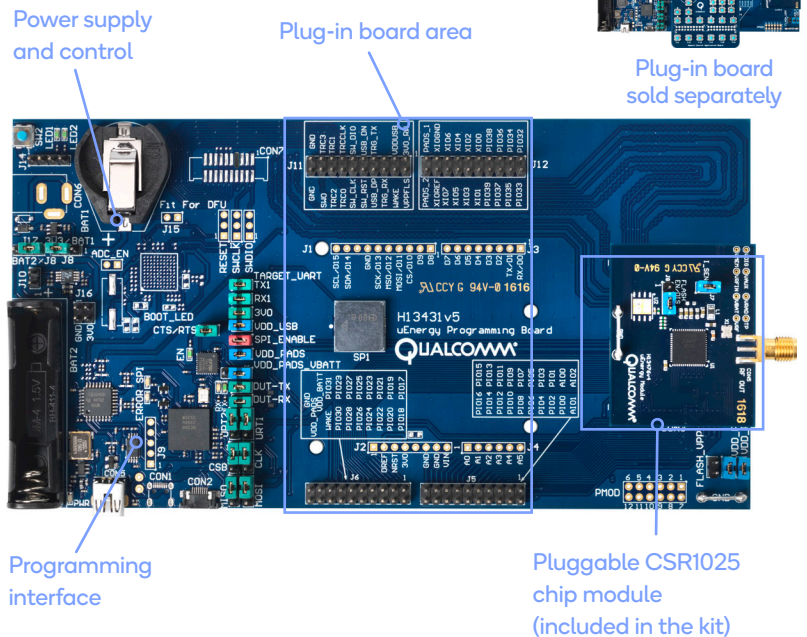
The CSR102x product family is optimized for IoT applications including wireless remote controls, sport watches, home automation solutions, and beacons. Where balancing performance, battery life, and cost is critical, the CSR102x products bring extensive and flexible I/O capabilities designed to simplify integration and eliminate additional interface components providing a more cost effective Bluetooth solution.

There are a variety of development options available for the CSR102x platform for virtually all types of Bluetooth low energy applications. Kits are available to purchase online from our sales and solution providers including our network of distributors, representatives, module suppliers and design houses.

## Kit Contents

- Professional target board
- Pluggable CSR1025 module
- Setup guide
- Mini-USB cable to connect to Host PC USB port
- Flexible cable
- Prototyping leads

## Professional Kit Target Board



- Modular design target board with pluggable CSR1025 module
- Programming interface and multiple power source options
- Current measurement facilities
- Bluetooth qualified stack with optional features
- Licensed xIDE software development environment



# CSR102x Bluetooth Low Energy Applications

- Input Accessories
- Fitness Monitors
- Sport Watches
- Smart Remotes
- Keyless Entry
- Beacons



## Application Plug-in Boards

### SPORT WATCH Application Board

DB-UENERGY-AB-10244

Pluggable sport watch application board that includes NFC with payment support, GPS and multiple sensors.

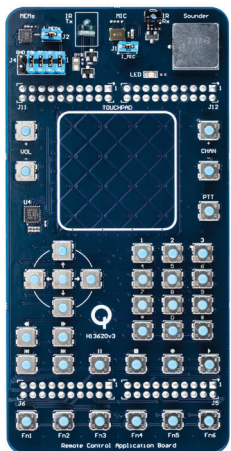


- Low power paper LCD
- Buttons
- Digital microphone
- 6-axis motion sensor
- GPS
- NFC with payment support
- Barometer
- Magnetometer
- Ambient light sensor
- Vibrating function
- LED
- 16MB SPI flash

### SMART REMOTE Application Board

DB-UENERGY-AB-10243

Pluggable smart remote application board that includes a microphone, IR transmitter and receiver, touchpad, motion sensor and other peripherals.



- Buttons
- Touchpad
- Digital microphone
- 6-axis motion sensor
- IR transmitter
- IR receiver
- Buzzer
- LED

## Other CSR102x Development Kits

### IOT Development Kit

DK-CSR1025-10280

The IoT development kit introduces a multi-purpose development platform for prototyping a range of IoT applications and is intended for use with Bluetooth mesh and CSRmesh™ SDKs.

Applications:

- Lighting
- Home automation
- Sensor networks

### BLUETOOTH NODE Development Kit

DK-CSR1025-10284

A small form factor design with a motion sensor, indication LED and button suitable for making tag applications a reality.

Applications:

- Beacon
- Proximity tag
- Footpod form factor

### CSR102x STARTER Development Kit

DK-CSR1025-10284

A simplified, yet comprehensive kit designed for developers and designers who need to get prototypes of their Bluetooth low energy products up and running and into production with reduced development time.

Applications:

- Heart rate sensor
- Security tag

## Ordering Information

Product	Part Number
Professional Dev Kit	DK-UENERGY-PB-10242
CSR102x Starter Dev Kit	DK-CSR1025-10285
IoT Dev Kit	DK-CSR1025-10280
Bluetooth Node Dev Kit	DK-CSR1025-10284
Sport Watch Application Board	DB-UENERGY-AB-10244
Smart Remote Application Board	DB-UENERGY-AB-10243

## SDK

The Bluetooth low energy SDK provides a comprehensive graphical code development environment for the CSR102x IC products using its xIDE environment with breakpoint, variable viewing, memory viewing, etc.



The SDK is based on a GCC compiler tool chain with command line build and make tools available, designed for reducing development time and regression builds.

To learn more visit: [qualcomm.com](http://qualcomm.com) or [developer.qualcomm.com](http://developer.qualcomm.com)

IoT Development Kit, Bluetooth Node Development Kit, CSR102x Starter Development Kit, Sport Watch Application Board and Smart Remote Application Board are products of Qualcomm Technologies, Inc. and/or its subsidiaries.

©2019 Qualcomm Technologies, Inc. and/or its affiliated companies. All Rights Reserved. Qualcomm is a trademark of Qualcomm Incorporated, registered in the United States and other countries. CSRmesh is a trademark of Qualcomm Technologies International, Ltd., registered in the United States and other countries. The Bluetooth® word mark and logos are registered trademarks owned by Bluetooth SIG, Inc. and any use of such marks by Qualcomm Technologies International, Ltd. is under license. Other products and brand names may be trademarks or registered trademarks of their respective owners. 0219A

